



UNDERMOUNT
SLIDES

D-MOTION FACE
FRAME

D-MOTION FACE

Soft-close and silent system

A smooth and silent system
For Soft-closing Drawers



- DTC D-Motion Face Frame undermount slides, full-extension, silent and soft-close
- With locking devices, various options for users
- Highly stable construction, verified durability



Quietness



Intelligence



Durability



Eco-Friendliness

D-MOTION FACE FRAME

DS20 Series Full Extension Undermount Slides for Frame and Frameless Cabinets



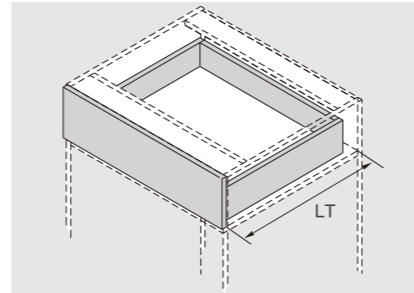
PRODUCT



DESCRIPTION

- Load capacity: 90lb(40kg)
- Finish: zink plated
- Length: 9"-21"(229-533mm), full extension
- Silent system guarantees smooth run without noise
- 2D adjustment, height:0-3mm,side:± 1.5mm
- 3D adjustment, height:0-3mm,side:± 1.5mm depth: 0-3.5mm
- Max drawer side thickness $\frac{5}{8}$ "(16mm)

SPACE REQUIREMENT



LT=Internal Cabinet Depth

SOFT CLOSE DRAWER

1	Slides (left/right)	
	Pre-zinc Steel(F02)	
	NL	Soft Close slide item No. Set/ctn
	229(9")	DS20229H 6
	305(12")	DS20305H 6
	381(15")	DS20381H 6
	457(18")	DS20457H 6
	533(21")	DS20533H 6

2	2D Locking Device (Left/Right)	
	Grey(H11)	
	Item No.	ODSD03-A

	3D Locking Device (left/right)	
	Grey(H11)	
	Item No.	ODSD07-A

	2D Locking Device(with Flange)(left/right)	
	Grey(H11)	
	Item No.	ODSD05-A

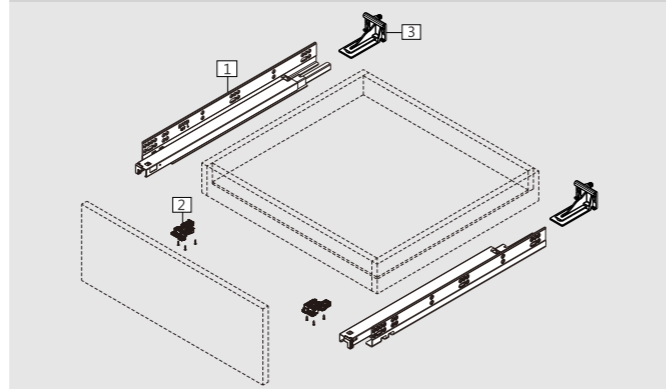
	3D Locking Device(with Flange)(left/right)	
	Grey(H11)	
	Item No.	ODSD06-A

3	Plastic Rear Mounting Bracket for Frame Cabinets	
	Grey(H11)	
	Only for drawer length 305(12")-533(21")	
	Item No.	OGA03

	Plastic Rear Mounting Bracket for Frame Cabinets	
	Grey(H11)	
	Only for drawer length 229(9")	
	Item No.	GHJ06

	Metal Rear Mounting Bracket for Frame Cabinets Zinc Plated(B02)	
	Item No.	GHJ02

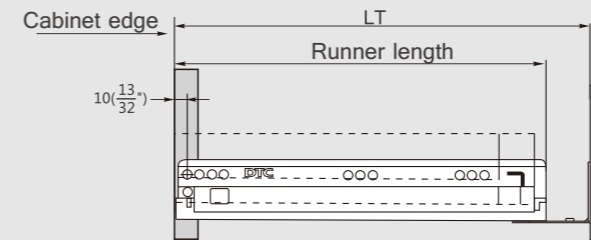
Soft close drawer



PLANNING

Installation Dimensions for Face Frame Cabinet (mm)

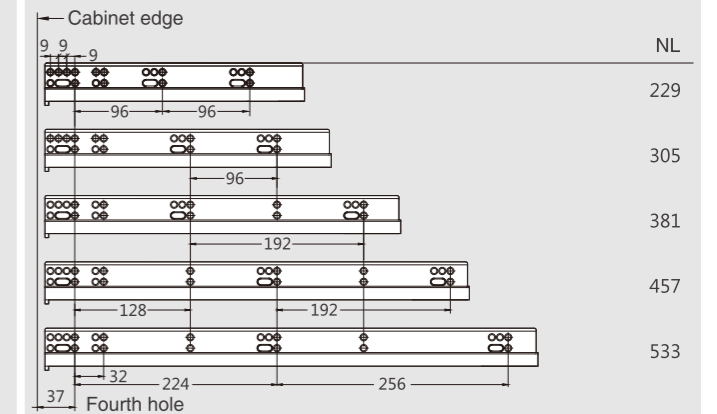
NL=Nominal Slide Length
LT=Internal Cabinet Depth



Drawer length	Runner length	Internal Cabinet Depth (when using metal bracket GHJ02)	
		Max	Min
229(9")*	256(10")	298(11 $\frac{3}{4}$ "*)	283(11 $\frac{1}{8}$ "*)
305(12")	317(12 $\frac{1}{2}$ "*)	369(14 $\frac{9}{16}$ "*)	326(12 $\frac{7}{8}$ "*)
381(15")	394(15 $\frac{1}{2}$ "*)	446(17 $\frac{9}{16}$ "*)	403(15 $\frac{7}{8}$ "*)
457(18")	470(18 $\frac{1}{2}$ "*)	522(20 $\frac{9}{16}$ "*)	479(18 $\frac{7}{8}$ "*)
533(21")	546(21 $\frac{1}{2}$ "*)	598(23 $\frac{9}{16}$ "*)	555(21 $\frac{7}{8}$ "*)

*Plastic Bracket GHJ06 for 229(9")

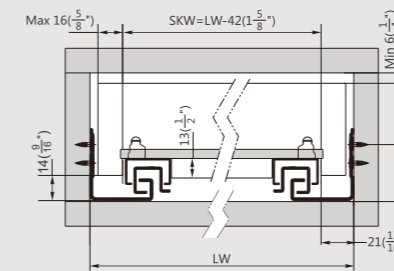
Screw Positions of the Slides for Frameless Cabinet (mm)



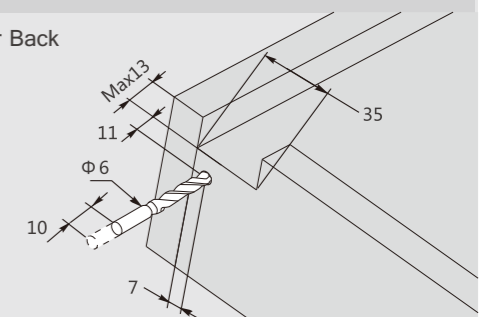
Drawer length	Runner length	Internal Cabinet Depth
		Min
229(9")	256(10")	265(10 $\frac{7}{16}$ "*)
305(12")	317(12 $\frac{1}{2}$ "*)	324(12 $\frac{3}{4}$ "*)
381(15")	394(15 $\frac{1}{2}$ "*)	401(15 $\frac{13}{16}$ "*)
457(18")	470(18 $\frac{1}{2}$ "*)	477(18 $\frac{13}{16}$ "*)
533(21")	546(21 $\frac{1}{2}$ "*)	553(21 $\frac{25}{32}$ "*)

Installation Dimensions(mm)

LW=Internal Cabinet Width

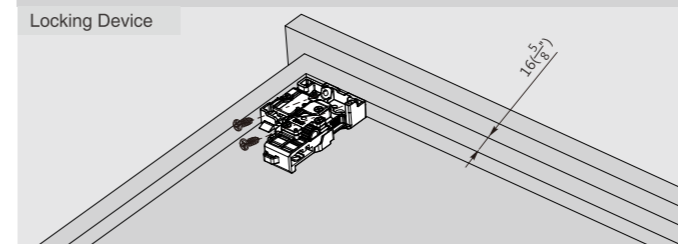


Drilling for Drawer Back

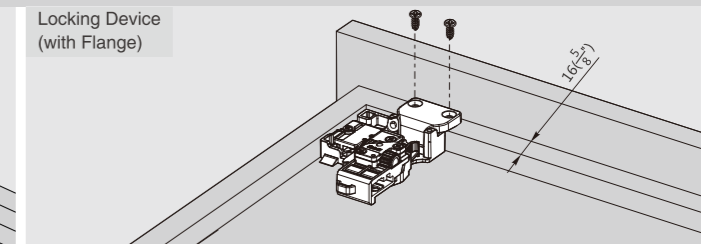


Rear Mounting Bracket Preparation, Back Preparation, Locking Device Installation(mm)

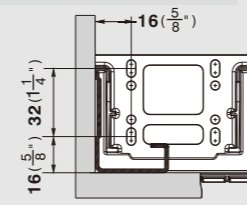
Locking Device



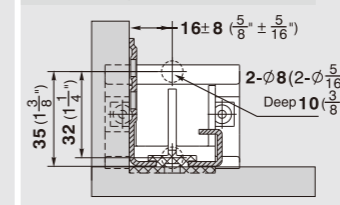
Locking Device (with Flange)



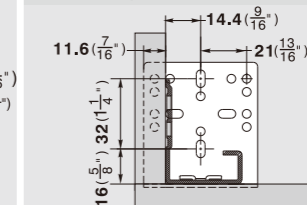
Plastic Rear Mounting Bracket for Drawer Length 229(9")



Plastic Rear Mounting Bracket for Drawer Length 305(12")-533(21")



Metal Rear Mounting Bracket Drawer Length 305(12")-533(21")



D-MOTION FACE FRAME

DS30 Series Full Extension Undermount Slides for Frame and Frameless Cabinets



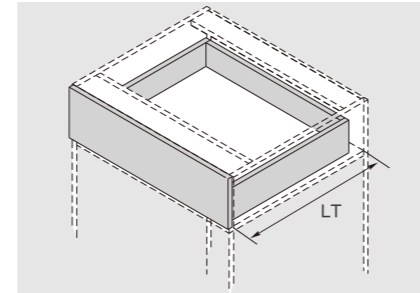
PRODUCT



DESCRIPTION

- Load capacity: 90lb(40kg)
- Finish: zink plated
- Length: 9"-21"(229-533mm), full extension
- Silent system guarantees smooth run without noise
- 2D adjustment, height:0-3mm,side:± 1.5mm
- 3D adjustment, height:0-3mm,side:± 1.5mm depth: 0-3.5mm
- Max drawer side thickness $\frac{3}{4}$ "(19mm)

SPACE REQUIREMENT



LT=Internal Cabinet Depth

SOFT CLOSE DRAWER

1	Slides (left/right)
	Pre-zinc Steel(F02)
	Soft Close slide item No. Set/ctn
NL	
229(9")	DS30229H 6
305(12")	DS30305H 6
381(15")	DS30381H 6
457(18")	DS30457H 6
533(21")	DS30533H 6

2	2D Locking Device (Left/Right)
	Dark Grey(H11)
	Item No. ODSD03-A

	3D Locking Device (left/right)
	Dark Grey(H11)
	Item No. ODSD07-A

	2D Locking Device(with Flange)(left/right)
	Dark Grey(H11)
	Item No. ODSD05-A

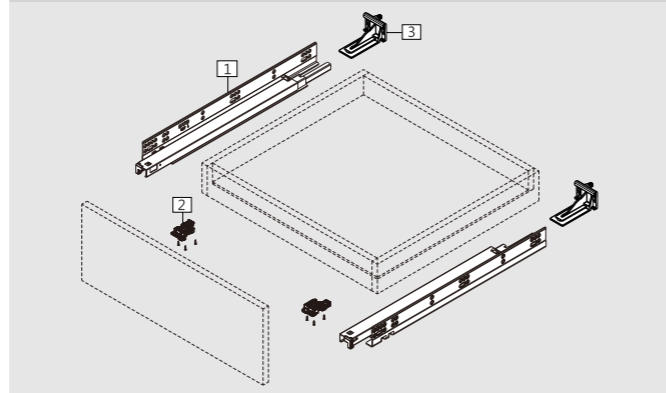
	3D Locking Device(with Flange)(left/right)
	Dark Grey(H11)
	Item No. ODSD06-A

3	Plastic Rear Mounting Bracket for Frame Cabinets
	Dark Grey(H11)
	For drawer length 305(12")-533(21")
	Item No. OGA03

	Plastic Rear Mounting Bracket for Frame Cabinets
	Dark Grey(H11)
	For drawer length 229(9")
	Item No. GHJ06

	Metal Rear Mounting Bracket for Frame Cabinets
	Zinc Plated(B02)
	For drawer length 305(12")-533(21")
	Item No. GHJ02

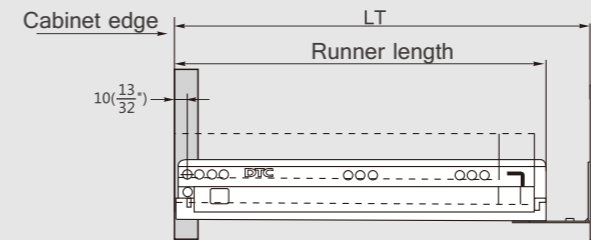
Soft close drawer



PLANNING

Installation Dimensions for Face Frame Cabinet (mm)

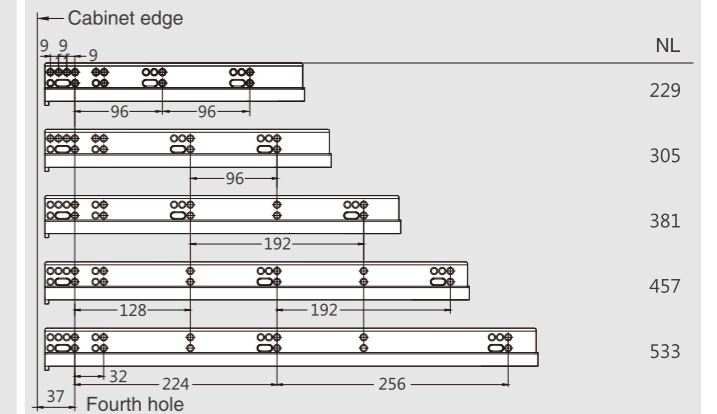
NL=Nominal Slide Length
LT=Internal Cabinet Depth



Drawer length	Runner length	Internal Cabinet Depth (when using metal bracket GHJ02)	
		Max	Min
229(9")*	256(10")	298($11\frac{3}{4}$ "	283($11\frac{1}{8}$ "
305(12")	317($12\frac{1}{2}$ "	369($14\frac{9}{16}$ "	326($12\frac{7}{8}$ "
381(15")	394($15\frac{1}{2}$ "	446($17\frac{9}{16}$ "	403($15\frac{7}{8}$ "
457(18")	470($18\frac{1}{2}$ "	522($20\frac{9}{16}$ "	479($18\frac{7}{8}$ "
533(21")	546($21\frac{1}{2}$ "	598($23\frac{9}{16}$ "	555($21\frac{7}{8}$ "

*Plastic Bracket GHJ06 for 229(9")

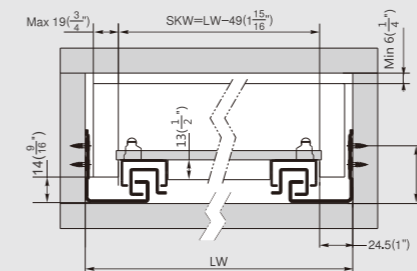
Screw Positions of the Slides for Frameless Cabinet (mm)



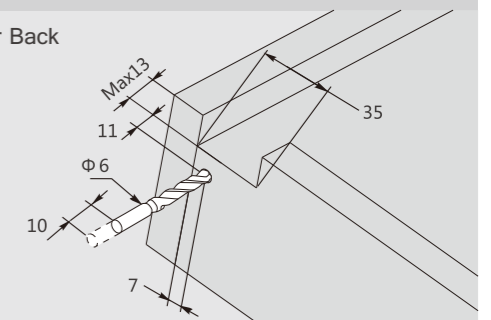
Drawer length	Runner length	Internal Cabinet Depth
		Min
229(9")	256(10")	265($10\frac{7}{16}$ "
305(12")	317($12\frac{1}{2}$ "	324($12\frac{3}{4}$ "
381(15")	394($15\frac{1}{2}$ "	401($15\frac{13}{16}$ "
457(18")	470($18\frac{1}{2}$ "	477($18\frac{13}{16}$ "
533(21")	546($21\frac{1}{2}$ "	553($21\frac{25}{32}$ "

Installation Dimensions(mm)

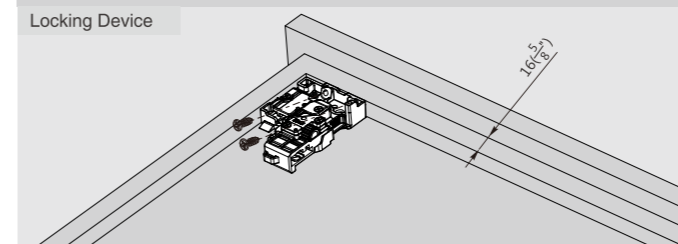
LW=Internal Cabinet Width



Drilling for Drawer Back



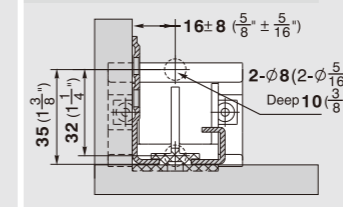
Rear Mounting Bracket Preparation, Back Preparation, Locking Device Installation(mm)



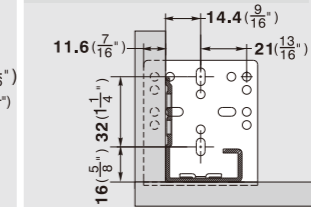
Plastic Rear Mounting Bracket for Drawer Length 229(9")



Plastic Rear Mounting Bracket for Drawer Length 305(12")-533(21")



Metal Rear Mounting Bracket Drawer Length 305(12")-533(21")

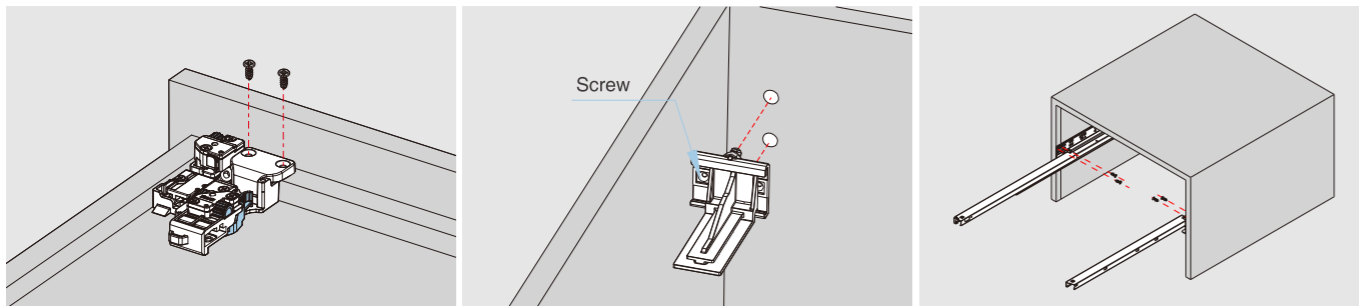


ASSEMBLY AND ADJUSTMENT

Assembly and Adjustment(for D-MOTION FACE FRAME)



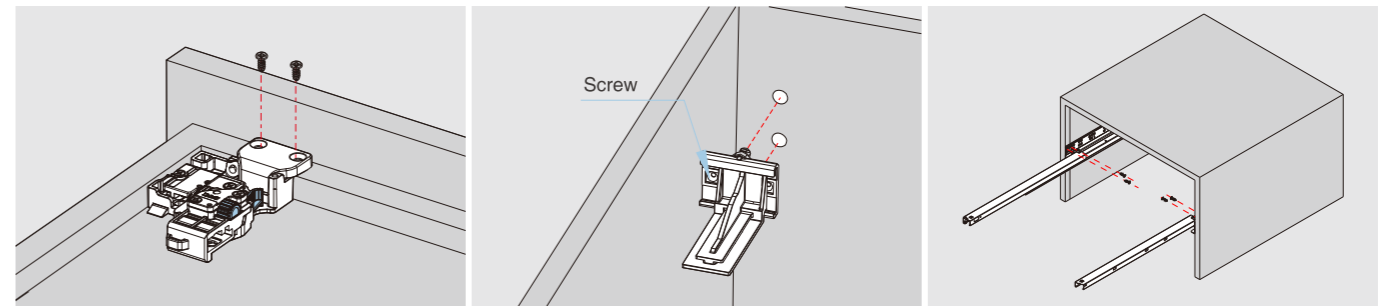
Drawer Assembly with 3D Adjustment Locking Device



Fix the locking device onto the drawer bottom and fix the rear bracket onto the cabinet back.

Fix the slide onto the cabinet.

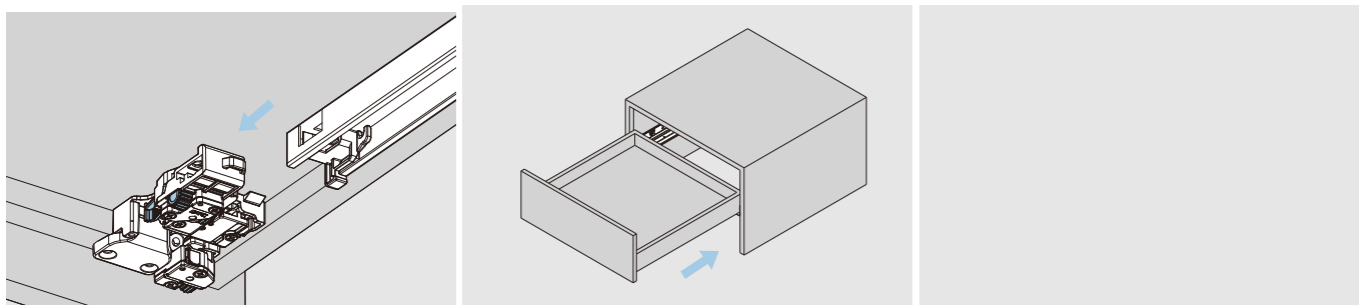
Drawer Assembly with 2D Adjustment Locking Device



Fix the locking device onto the drawer bottom and fix the rear bracket onto the cabinet back.

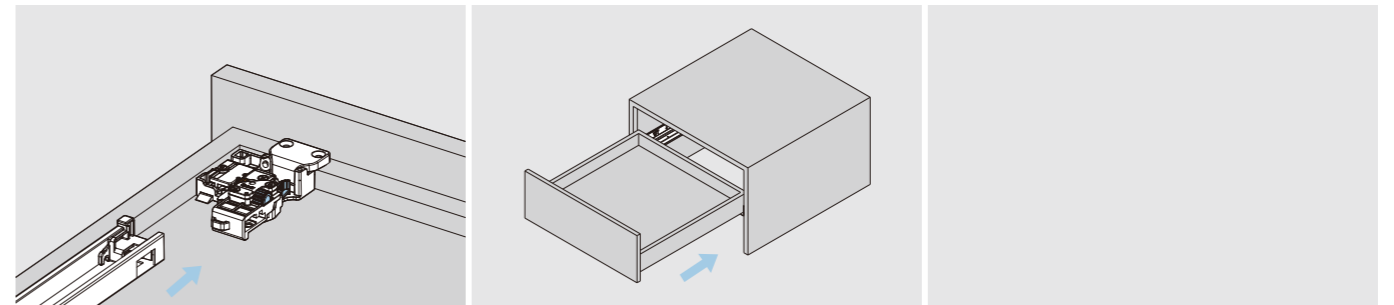
Fix the slide onto the cabinet.

Drawer Assembly with 3D Adjustment Locking Device



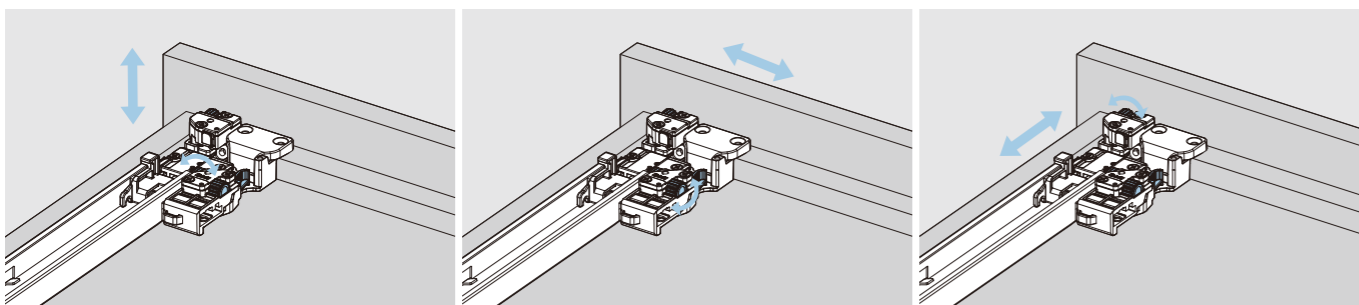
Lay the drawer bottom onto the slide then push the drawer into the cabinet.

Drawer Assembly with 2D Adjustment Locking Device



Lay the drawer bottom onto the slide then push the drawer into the cabinet.

3D Adjustment

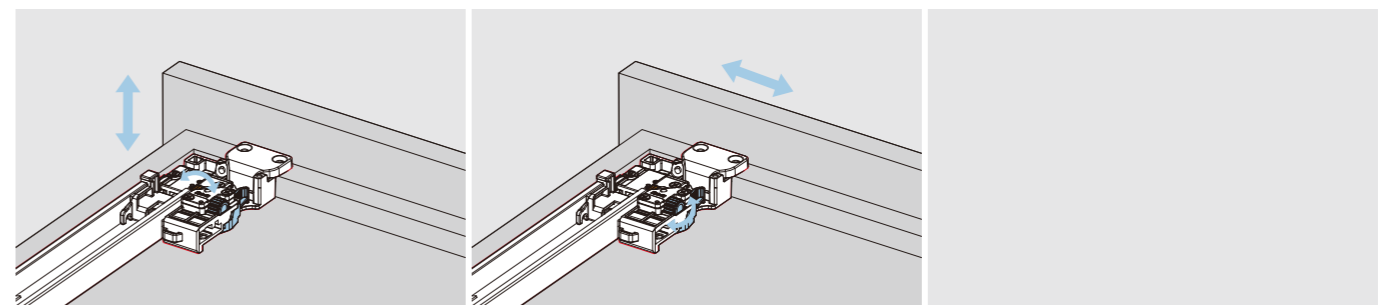


Height adjustment

Side adjustment

Depth adjustment

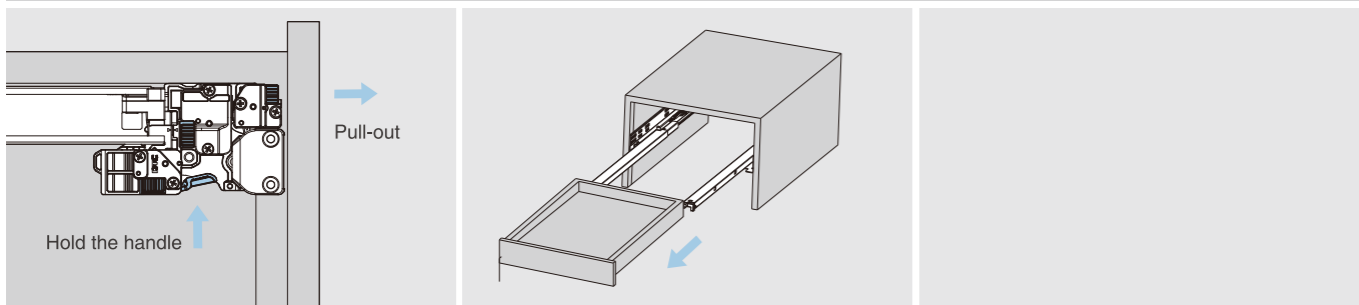
2D Adjustment



Height adjustment

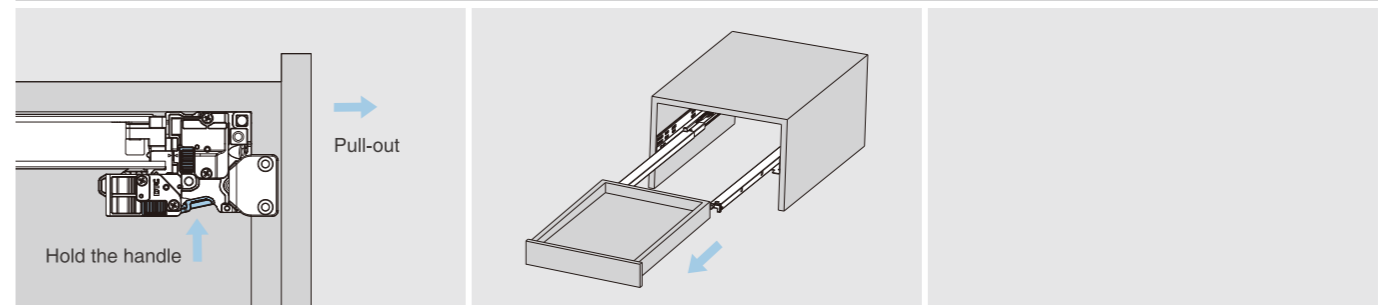
Side adjustment

Drawer Removal with 3D Adjustment Locking Device



For removal, hold the handle and pull out the drawer.

Drawer Removal with 2D Adjustment Locking Device



For removal, hold the handle and pull out the drawer.

D-MOTION FACE FRAME

SS20DD Series Full Extension Undermount Slides for Frame and Frameless Cabinets



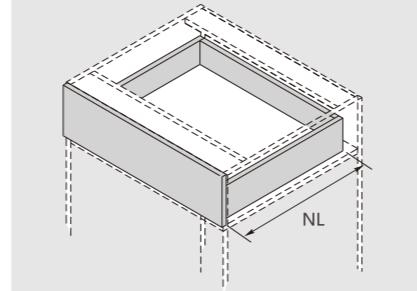
PRODUCT



DESCRIPTION

- Load capacity: 75lb(35kg)
- Finish: zink plated
- Length: 9"-21"(229-533mm)
- Full extension
- Drawer height adjustment: 0~+3mm
- Tool free assembly and removal of drawer
- Silent system guarantees smooth run without noise
- Max drawer side thickness $\frac{5}{8}$ "(16mm)

SPACE REQUIREMENT



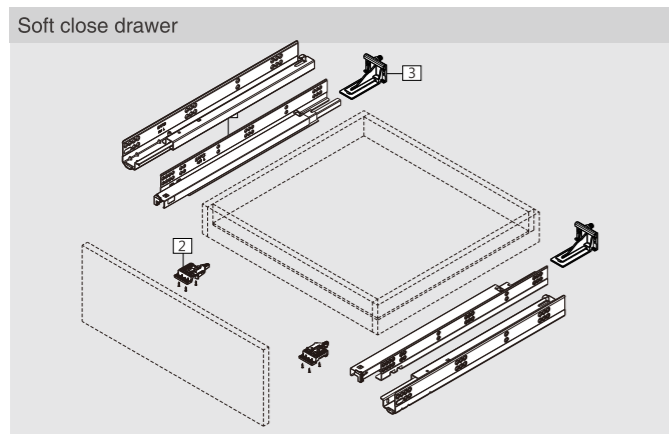
NL Nominal length

SOFT CLOSE DRAWER

1	Slides (left/right)			
	Pre-zinc Steel(F02)			
	NL	Soft Close slide item No.		Set/ctn
	229(9")	SS20DD229H1		6
	305(12")	SS20DD305H1		6
	381(15")	SS20DD381H1		6
	457(18")	SS20DD457H1		6
	533(21")	SS20DD533H1		6

2	Locking Device (left/right)		
	Dark Grey(H11)		
	Item No.	OSSLD01-A	

2	Locking Device (with Flange) (left/right)		
	Dark Grey(H11)		
	Item No.	OSSLD02-A	



3	Plastic Rear Mounting Bracket for Frame Cabinets		
	Dark Grey(H11)		
	For drawer length 305(12")-533(21")		
	Item No.	OGA03	

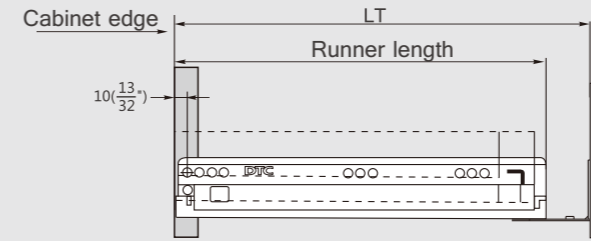
3	Plastic Rear Mounting Bracket for Frame Cabinets		
	Dark Grey(H11)		
	For drawer length 229(9")		
	Item No.	GJH06	

3	Metal Rear Mounting Bracket for Frame Cabinets Zinc Plated(B02)		
	For drawer length 305(12")-533(21")		
	Item No.	GJH02	

PLANNING

Installation Dimensions for Face Frame Cabinet (mm)

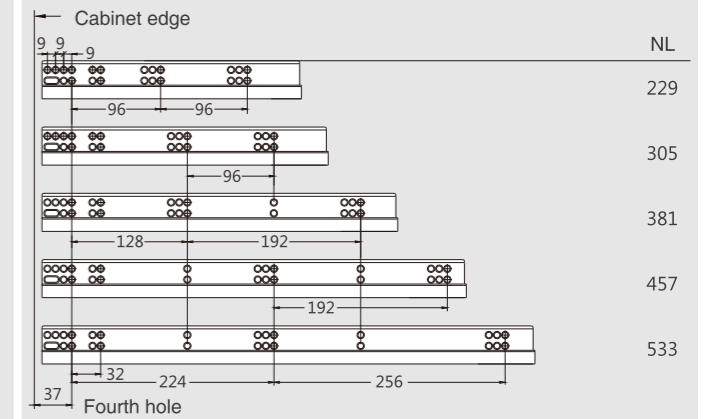
NL=Nominal Slide Length
LT=Internal Cabinet Depth



Drawer length	Runner length	Internal Cabinet Depth (when using metal bracket GJH02)	
		Max	Min
229(9")*	256(10")	298(11 $\frac{3}{4}$ ")	283(11 $\frac{1}{8}$ ")
305(12")	317(12 $\frac{1}{2}$ ")	369(14 $\frac{9}{16}$ ")	326(12 $\frac{7}{8}$ ")
381(15")	394(15 $\frac{1}{2}$ ")	446(17 $\frac{9}{16}$ ")	403(15 $\frac{7}{8}$ ")
457(18")	470(18 $\frac{1}{2}$ ")	522(20 $\frac{9}{16}$ ")	479(18 $\frac{7}{8}$ ")
533(21")	546(21 $\frac{1}{2}$ ")	598(23 $\frac{9}{16}$ ")	555(21 $\frac{7}{8}$ ")

*Plastic Bracket GJH06 for 229(9")

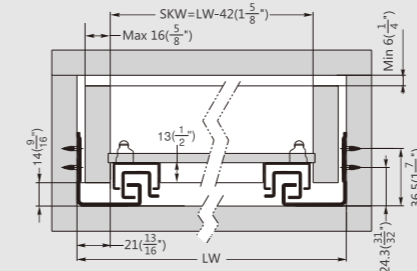
Screw Positions of the Slides for Frameless Cabinet (mm)



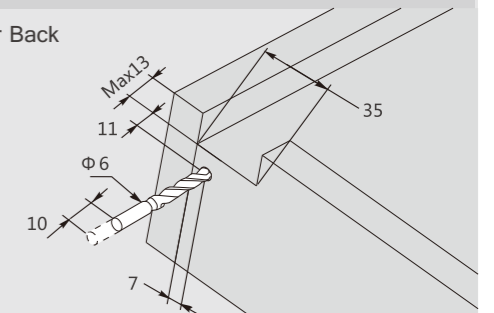
Drawer length	Runner length	Internal Cabinet Depth
		Min
229(9")	256(10")	265(10 $\frac{7}{16}$ ")
305(12")	317(12 $\frac{1}{2}$ ")	324(12 $\frac{3}{4}$ ")
381(15")	394(15 $\frac{1}{2}$ ")	401(15 $\frac{13}{16}$ ")
457(18")	470(18 $\frac{1}{2}$ ")	477(18 $\frac{13}{16}$ ")
533(21")	546(21 $\frac{1}{2}$ ")	553(21 $\frac{32}{32}$ ")

Installation Dimensions(mm)

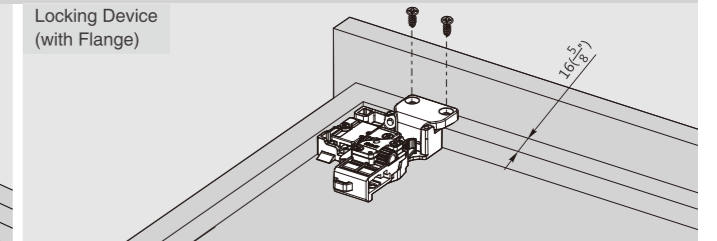
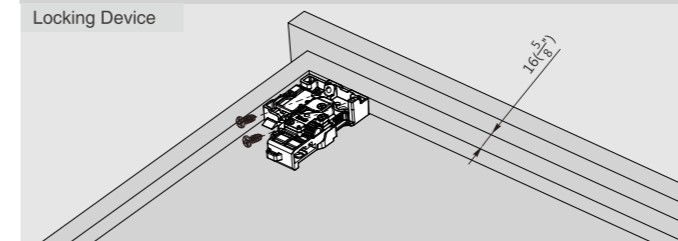
LW=Internal Cabinet Width



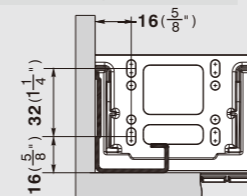
Drilling for Drawer Back



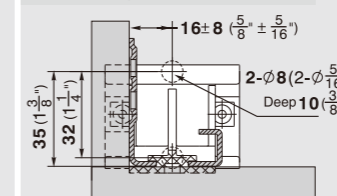
Rear Mounting Bracket Preparation, Back Preparation, Locking Device Installation(mm)



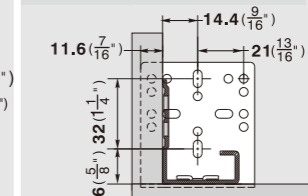
Plastic Rear Mounting Bracket for Drawer Length 229(9")



Plastic Rear Mounting Bracket for Drawer Length 305(12")-533(21")



Metal Rear Mounting Bracket Drawer Length 305(12")-533(21")

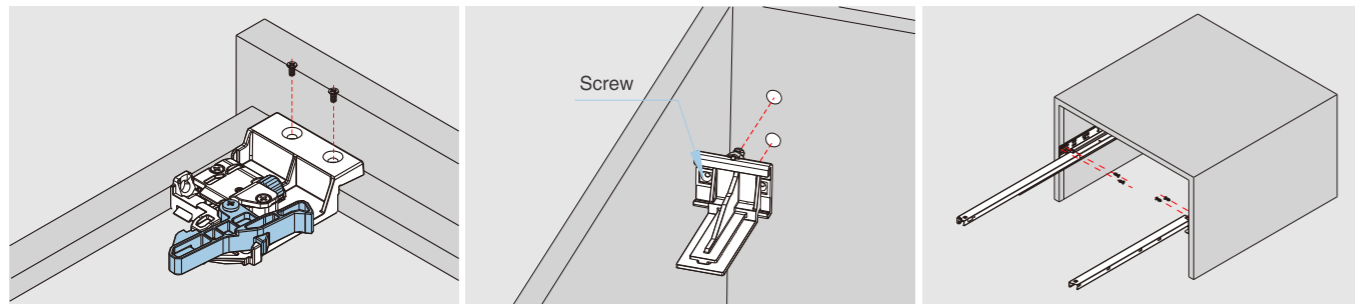


ASSEMBLY AND ADJUSTMENT

Assembly and Adjustment(for D-MOTION FACE FRAME)



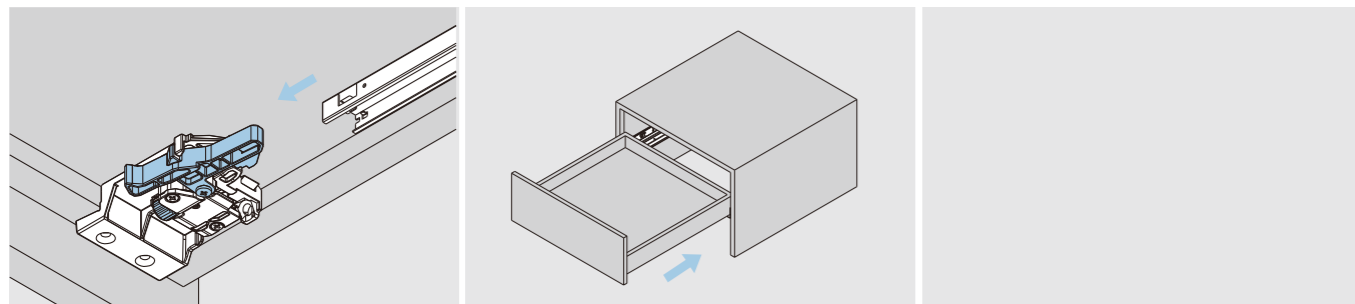
Drawer Assembly with Locking Device



Fix the locking device onto the drawer bottom and fix the rear bracket onto the cabinet back.

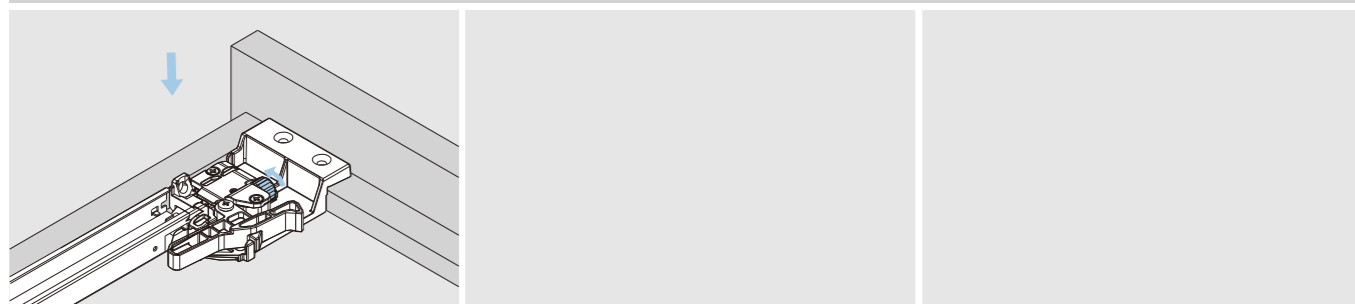
Fix the slide onto the cabinet.

Drawer Assembly with Locking Device



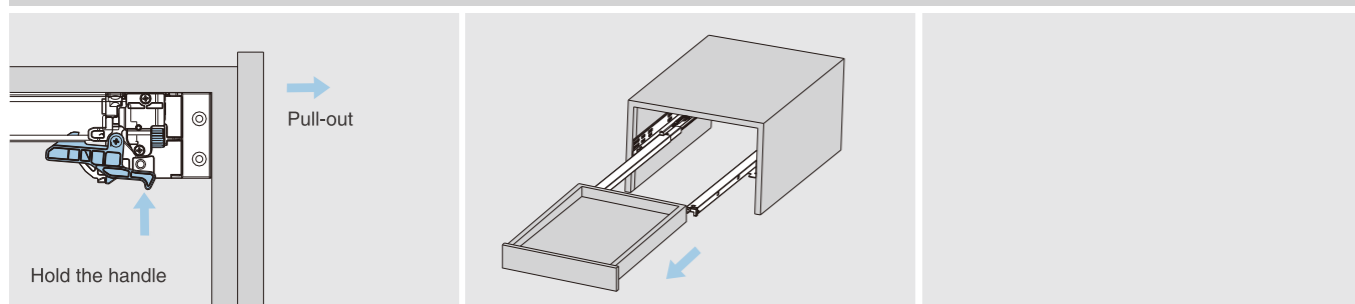
Fix the locking device onto the drawer bottom and fix the rear bracket onto the cabinet back.

Adjustment

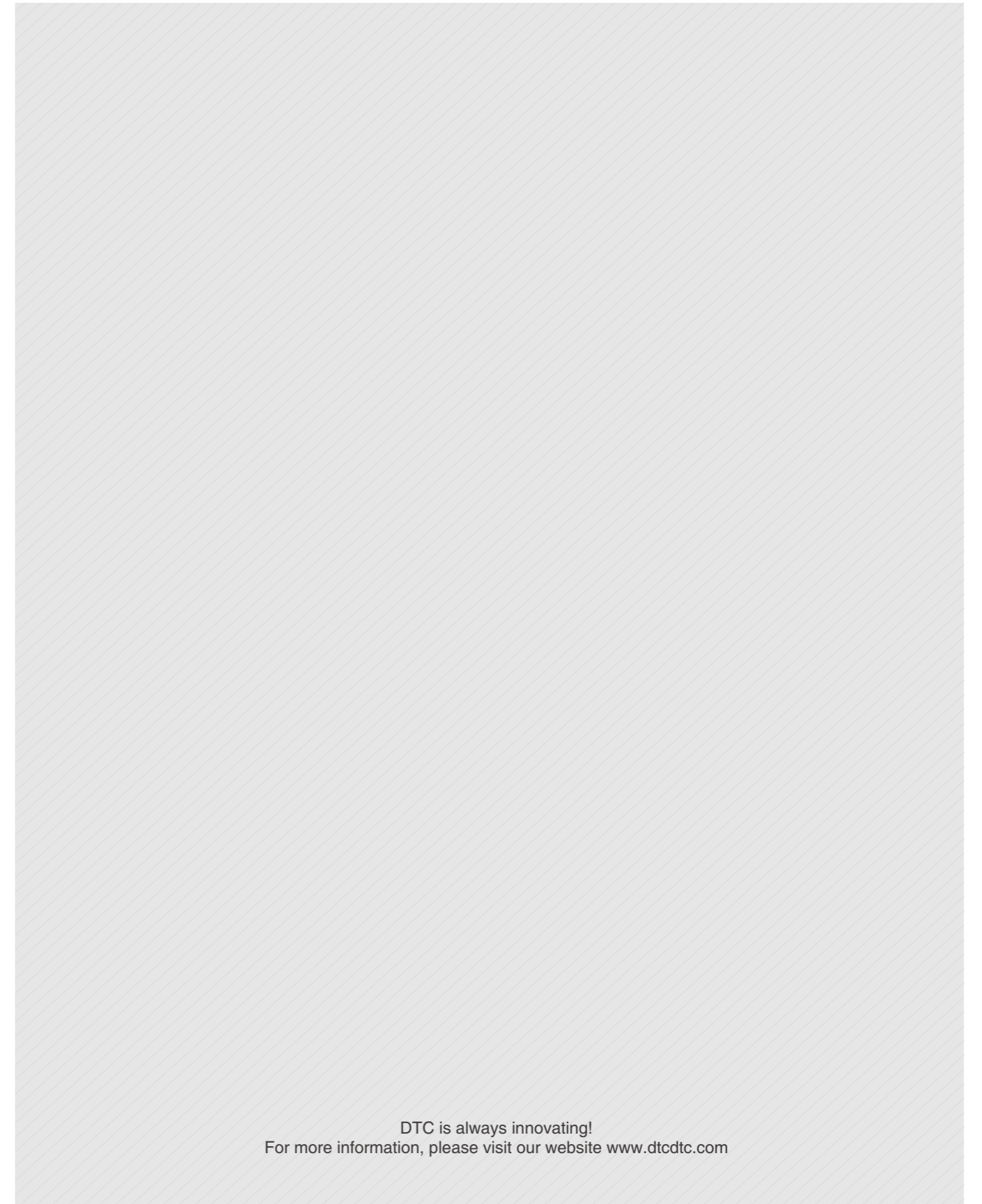


Height adjustment

Drawer Removal with Locking Device



For removal, hold the handle and pull out the drawer.



DTC is always innovating!
For more information, please visit our website www.dtc.dtc.com

D-MOTION FACE FRAME

G20 Series 7/8 Extension Undermount Slides for Frame and Frameless Cabinets



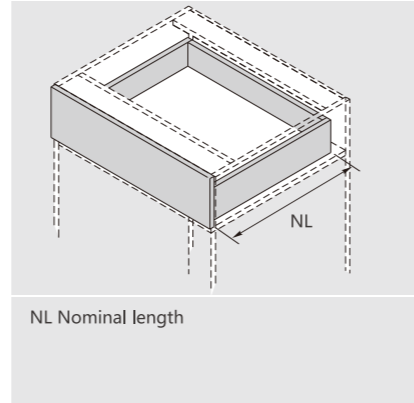
PRODUCT



DESCRIPTION

- Load capacity: 60lb(27kg)
- Finish: zink plated
- Length:9"-21"(229-533mm), $\frac{7}{8}$ partial extension
- Silent system guarantees smooth run without noise
- Drawer height adjustment:0~+3mm
- Max drawer side thickness $\frac{5}{8}$ "(16mm)

SPACE REQUIREMENT

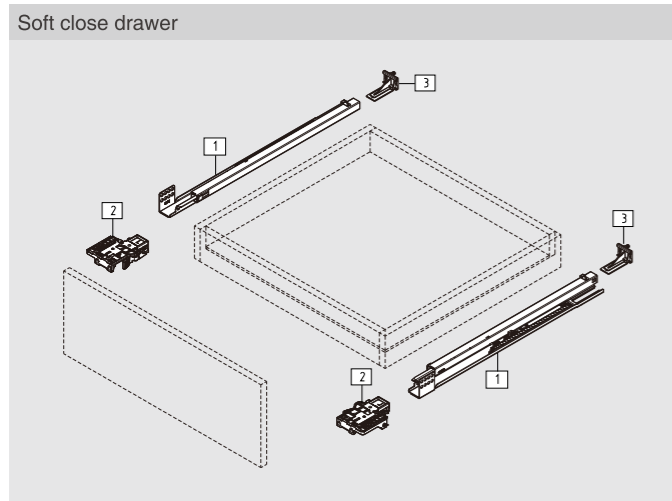


SOFT CLOSE DRAWER

1	Slides (left/right)	
	Pre-zinc Steel(F02)	
	NL	Soft Close slide item No. Set/ctn
	229(9")	G20229H 6
	305(12")	G20305H 6
	381(15")	G20381H 6
	457(18")	G20457H 6
	533(21")	G20533H 6

2	Locking Device (left/right)	
	Dark Grey(H11)	
	Item No.	OGLD01-B

	Locking Device (with Flange) (left/right)	
	Dark Grey(H11)	
	Item No.	OGLD01-C



3	Plastic Rear Mounting Bracket for Frame Cabinets	
	Dark Grey(H11)	
	Item No.	OGA03

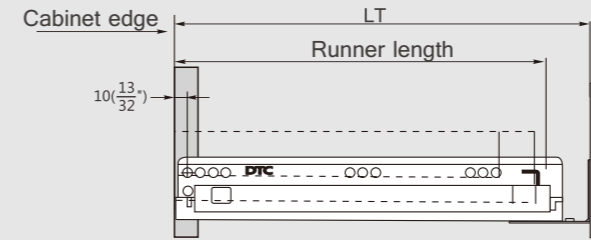
	Narrow Metal Rear Mounting Bracket for Frame Cabinets	
	Zinc Plated(B02)	
	Item No.	GHJ02

	Metal Rear Mounting Bracket for Frameless Application	
	Zinc Plated(B02)	
	Item No.	GHJ14

PLANNING

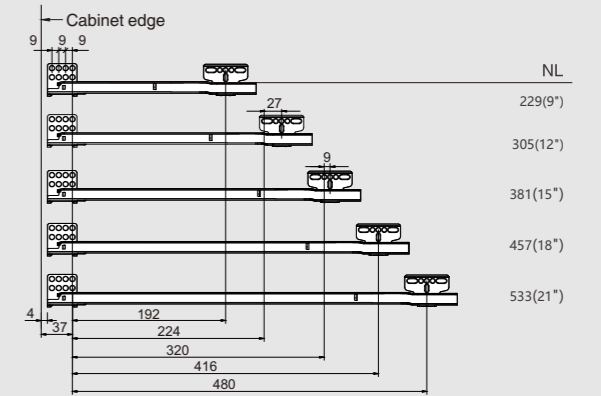
Installation Dimensions for Face Frame Cabinet (mm)

NL=Nominal Slide Length
LT=Internal Cabinet Depth



Drawer length	Runner length	Internal Cabinet Depth (when using metal bracket GHJ02)	
		Max	Min
229(9")	272($10\frac{23}{32}$ ")	299($11\frac{3}{4}$ ")	284($11\frac{3}{16}$ ")
305(12")	329($12\frac{31}{32}$ ")	375($14\frac{3}{4}$ ")	341($13\frac{7}{16}$ ")
381(15")	405($15\frac{31}{32}$ ")	451($17\frac{3}{4}$ ")	417($16\frac{7}{16}$ ")
457(18")	482($18\frac{31}{32}$ ")	527($20\frac{3}{4}$ ")	494($19\frac{7}{16}$ ")
533(21")	558($21\frac{31}{32}$ ")	604($23\frac{3}{4}$ ")	570($22\frac{7}{16}$ ")

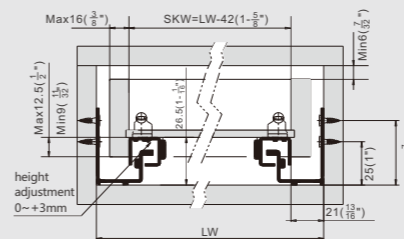
Screw Positions of the Slides for Frameless Cabinet (mm)



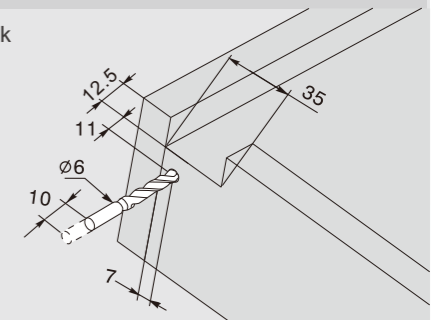
Drawer length	Runner length	Internal Cabinet Depth
		Min
229(9")	256(10")	281($11\frac{1}{16}$ ")
305(12")	317($12\frac{1}{2}$ ")	338($13\frac{5}{16}$ ")
381(15")	394($15\frac{1}{2}$ ")	414($16\frac{5}{16}$ ")
457(18")	470($18\frac{1}{2}$ ")	491($19\frac{11}{32}$ ")
533(21")	546($21\frac{1}{2}$ ")	567($22\frac{5}{16}$ ")

Installation Dimensions(mm)

LW=Internal Cabinet Width

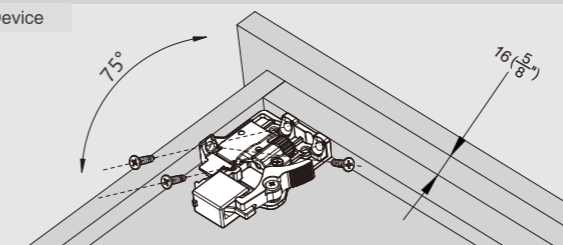


Drilling for Drawer Back

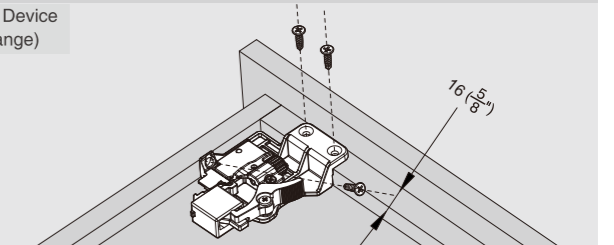


Rear Mounting Bracket Preparation, Back Preparation, Locking Device Installation(mm)

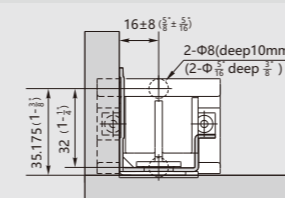
Locking Device



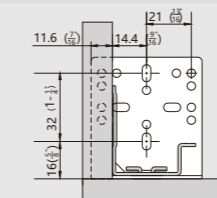
Locking Device (with Flange)



Plastic Rear Mounting Bracket for Drawer Length 305(12")-533(21")



Metal Rear Mounting Bracket for Drawer Length 305(12")-533(21")

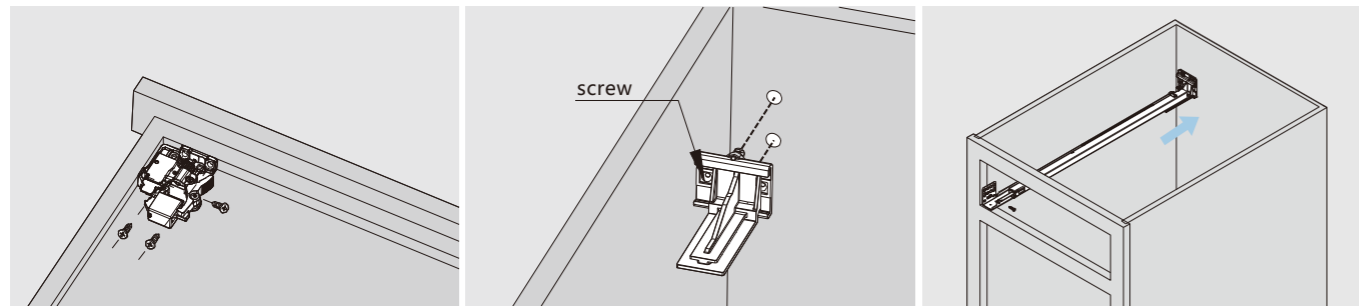


ASSEMBLY AND ADJUSTMENT

Assembly and Adjustment(for D-MOTION FACE FRAME)

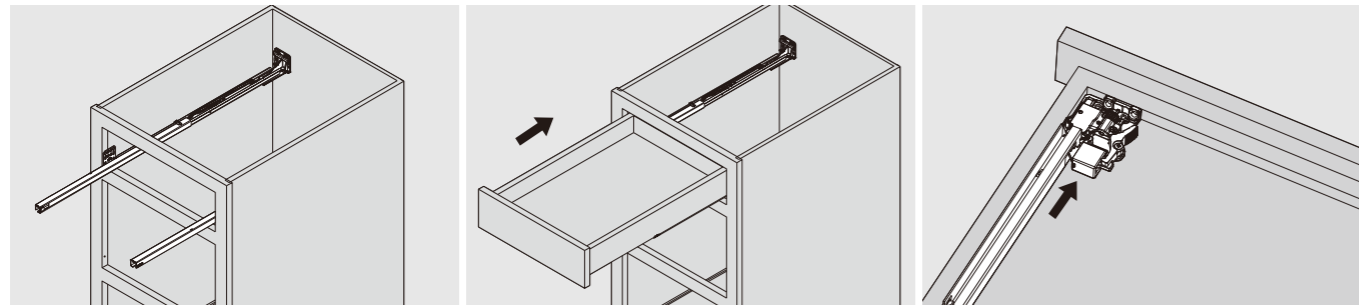


Drawer Assembly



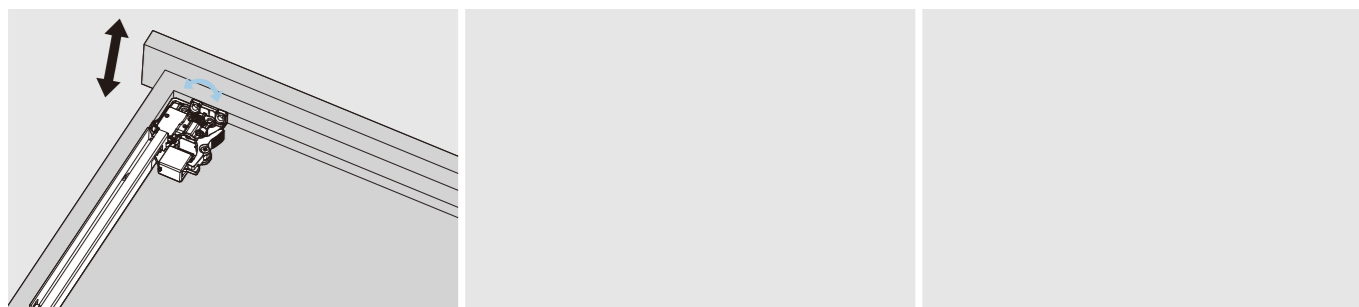
Fix the locking device onto the drawer bottom and fix the rear bracket onto the cabinet back.

Insert slide end into rear bracket and fix the slide onto the cabinet



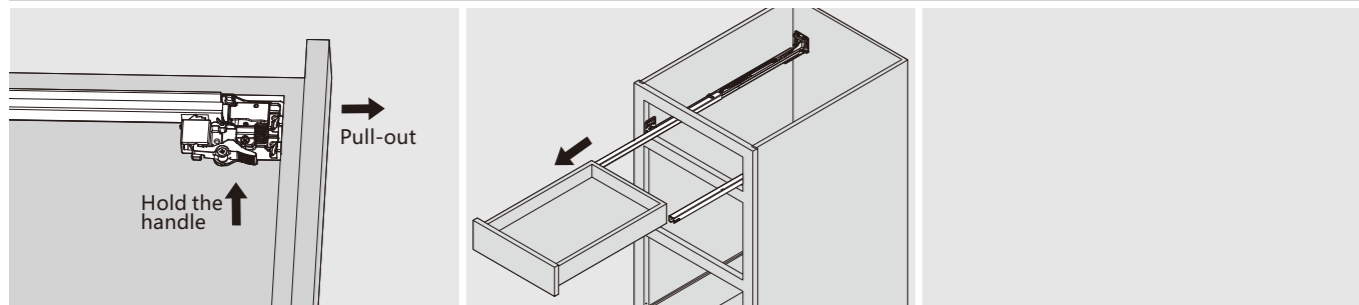
Pull out the slide, lay the drawer bottom onto the slide then push the drawer into the cabinet.

Adjustment

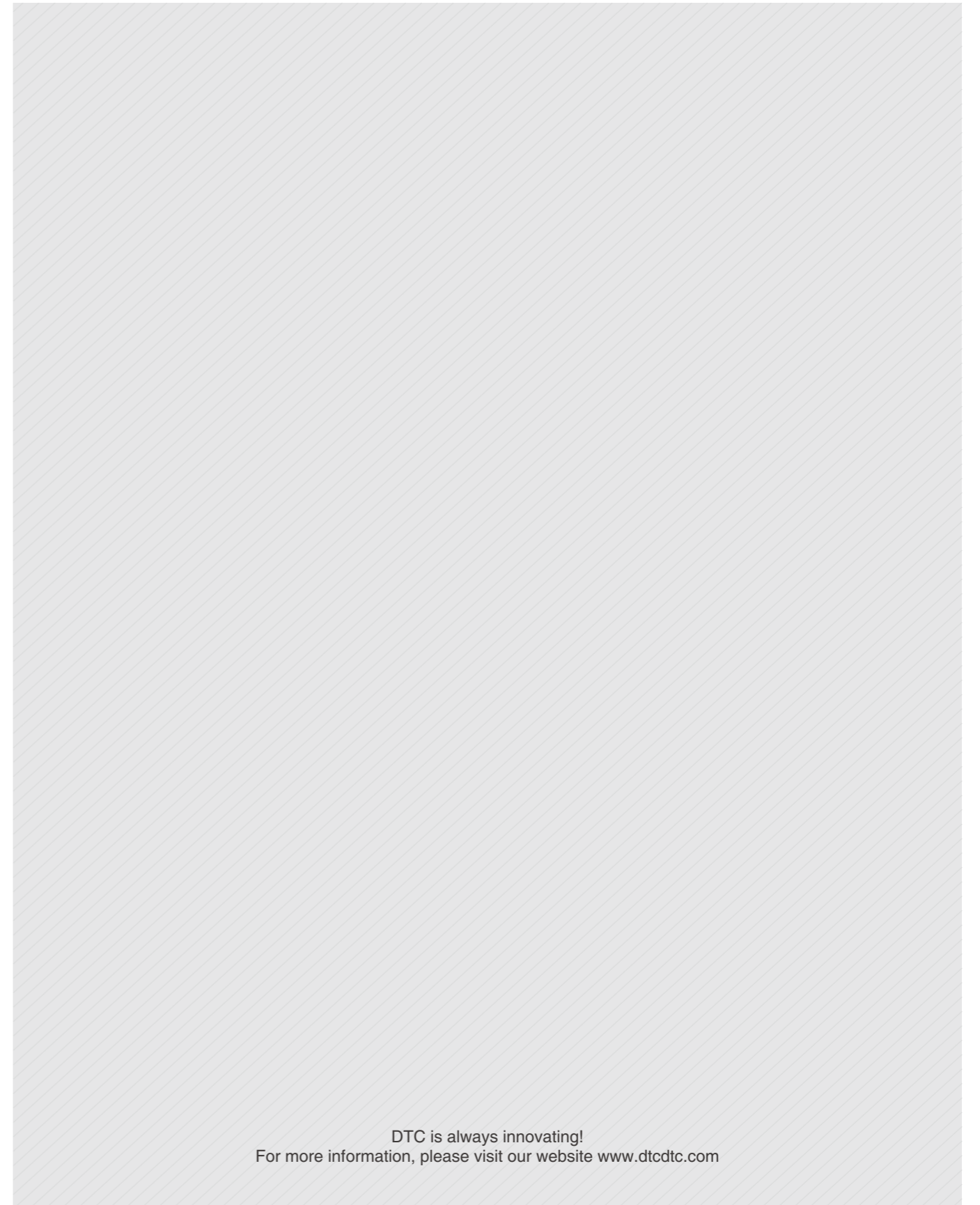


Height adjustment 0~+3mm

Removal



For removal, hold the handle and pull out the drawer



DTC is always innovating!
For more information, please visit our website www.dtcetc.com